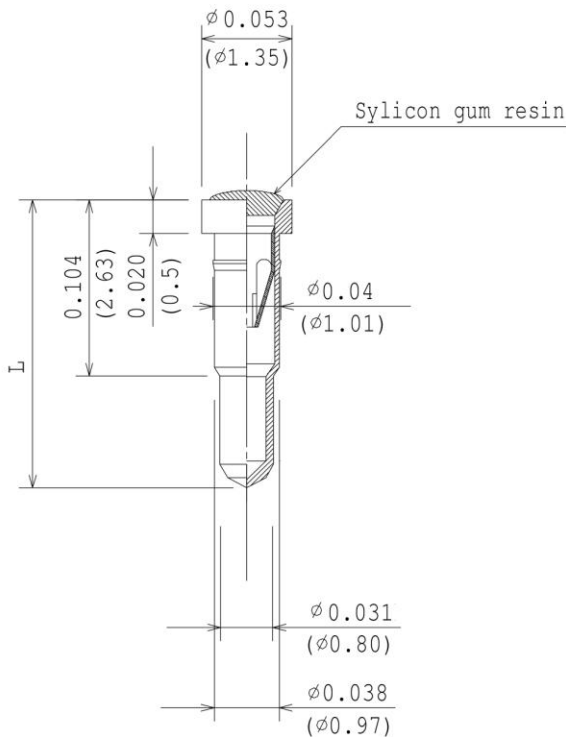


<b>RoHS Compliant</b>		<b>Model Number(TYPE)</b>	
<b>SPECIFICATIONS</b>		<b>SPIN-A-***</b>	
		<b>Type: Relay Socket Pin</b>	
<b>Parameters</b>	<b>Test Conditions</b>	<b>Units</b>	<b>SPIN-A-***</b>
Contact Resistance	At $\phi 0.018$ inch ( $\phi 0.45$ mm)	m $\Omega$ -Max	15.0
Insertion force	At $\phi 0.018$ inch ( $\phi 0.45$ mm)	g-Max	600
Withdrawal force	At $\phi 0.018$ inch ( $\phi 0.45$ mm)	g-Min	100
Conformable reed diameter		inch (mm)	$\phi 0.012 \sim \phi 0.018$ ( $\phi 0.3 \sim \phi 0.45$ )
Insertion and Pulling Out		Cycles-Min	100

### Dimensions

All dimensions are measured in inches (millimeters).



	MATERIAL	FINISH
SHELL	Brass	Au
CONTACT	Beryllium Copper	Au
Type	L	
SPIN-A-1.6	0.169 (4.3)	
SPIN-A-3.2	0.197 (5.0)	
SPIN-A-4.8	0.248 (6.3)	
SPIN-A-6.5	0.299 (7.6)	

宜技科技有限公司

<http://ichitech.com.tw>

Tel: +886-2222-9677

Fax: +886-2222-9833

Address: 235新北市中和區建一路177號7樓

Mail: [sales@ichitech.com.tw](mailto:sales@ichitech.com.tw)