



CII

TE Internal #: 1617132-7

TO-5/.100 Grid Relays, 2 Form C, DPDT, 2 C/O, 5 VDC Input, Coil Suppression Diode, 1 A, 5 VDC Coil Voltage, 100 Ω Coil Resistance

[View on TE.com >](#)

Relays, Contactors & Switches > Relays > Mil-Aero Relays > TO-5/.100 Grid Relays



TO-5/.100 Grid Relay Contact Arrangement: **2 Form C, DPDT, 2 C/O**

TO-5/.100 Grid Relay Input Voltage: **5 VDC**

Coil Suppression Diode: **With**

MOSFET Driver: **Without**

Transistor Driver: **Without**

Features

Product Type Features

Enclosure Type	Hermetically Sealed
Relay Type	Military/Aerospace High Performance
Coil Latching	Without
Product Type	Relay
MOSFET Driver	Without

Configuration Features

Transistor Driver	Without
-------------------	---------

Electrical Characteristics

Coil Magnetic System	Non-Polarized, Monostable
Vibration	30G's, 10 – 3000Hz
Actuating System	DC
Shock	75G's, 6ms
Coil Power Measurement	Milliwatts
TO-5/.100 Grid Relay Input Voltage	5 VDC
Coil Suppression Diode	With
Coil Voltage	5 VDC
TO-5/.100 Grid Relay Coil Resistance	100 Ω
TO-5/.100 Grid Relay Coil Power Rating (DC)	250 mW



Coil Polarity Protection Diode	With
TO-5/.100 Grid Relay Contact Switching Voltage (Max)	28

Contact Features

Contact Current Class	Low Level – 1 A
TO-5/.100 Grid Relay Contact Arrangement	2 Form C, DPDT, 2 C/O
TO-5/.100 Grid Relay Contact Current Rating	1 A

Termination Features

Termination Type	Long Leads
------------------	------------

Mechanical Attachment

TO-5/.100 Grid Relay Mounting Type	Printed Circuit Board
------------------------------------	-----------------------

Usage Conditions

Operating Temperature Range	-65 – 125 °C
-----------------------------	--------------

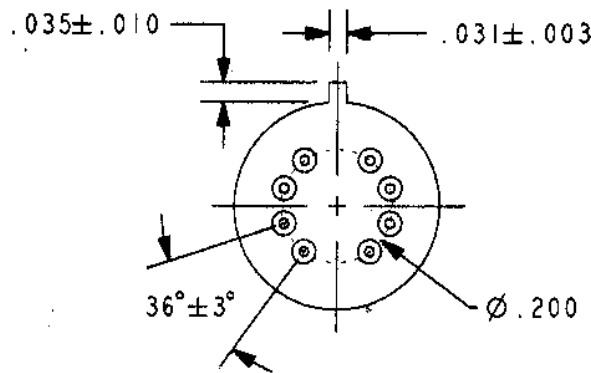
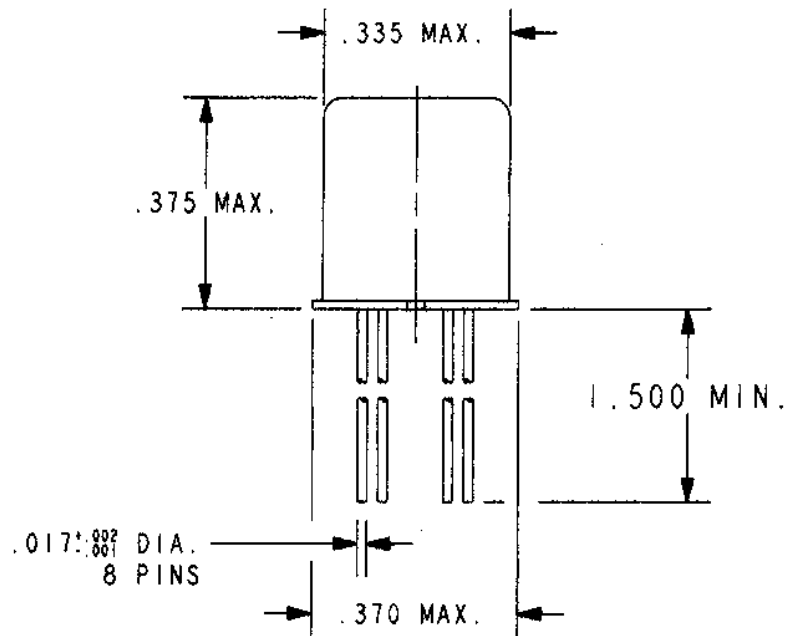
Product Compliance

For compliance documentation, visit the product page on TE.com>

EU RoHS Directive 2011/65/EU	Not Compliant
EU ELV Directive 2000/53/EC	Not Compliant
China RoHS 2 Directive MIIT Order No 32, 2016	Restricted Materials Above Threshold
EU REACH Regulation (EC) No. 1907/2006	Current ECHA Candidate List: JAN 2022 (223) Candidate List Declared Against: JAN 2022 (223) Does not contain REACH SVHC
Halogen Content	Low Halogen - Br, Cl, F, I < 900 ppm per homogenous material. Also BFR/CFR/PVC Free
Solder Process Capability	Not lead free process capable

Product Compliance Disclaimer

This information is provided based on reasonable inquiry of our suppliers and represents our current actual knowledge based on the information they provided. This information is subject to change. The part numbers that TE has identified as EU RoHS compliant have a maximum concentration of 0.1% by weight in homogenous materials for lead, hexavalent chromium, mercury, PBB, PBDE, DBP, BBP, DEHP, DIBP, and 0.01% for cadmium, or qualify for an exemption to these limits as defined in the Annexes of Directive 2011/65/EU (RoHS2). Finished electrical and electronic equipment products will be CE marked as required by Directive 2011/65/EU. Components may not be CE marked. Additionally, the part numbers that TE has identified as EU ELV compliant have a maximum concentration of 0.1% by weight in homogenous materials for lead, hexavalent chromium, and mercury, and 0.01% for cadmium, or qualify for an exemption to these limits as defined in the Annexes of Directive 2000/53/EC (ELV). Regarding the REACH Regulation, the information TE provides on SVHC in articles for this part number is based on the latest European Chemicals Agency (ECHA) 'Guidance on requirements for substances in articles' posted at this URL: <https://echa.europa.eu/guidance-documents/guidance-on-reach>



REV. 0

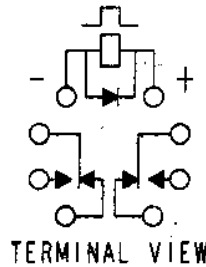
DCO 143288

COIL: @ 25°C	
RESISTANCE	100 OHMS ± 10%
NOMINAL VOLTAGE	5.0 VDC
MUST OPERATE	2.6 VDC
MUST RELEASE	1.4 VDC MAX., 0.23 VDC MIN.

ENVIRONMENT:	
VIBRATION	10 CPS TO 3000 CPS @ 30 g's
SHOCK	75 g's 6 MS. DURATION
TEMPERATURE	-65 °C TO +125 °C

NOTES:	OPERATE TIME 4.0 MS MAX.
	RELEASE TIME 7.5 MS MAX.
	CONTACT STABILIZATION 2.0 MS MAX.

CUSTOMER DATA SHEET



CONTACT RATING: LOW LEVEL TO 1A
28 VDC RESISTIVE 100,000 OPERATIONS

DR. B.D. 10/31/01 *CK*

CII Technologies
advanced control electronic solutions

CUST. QPL
CUST. NO. M39016/16-017M REV. _____

"JMSD" RELAY

JMSWD-5XM